



# SCC-B2311 / B2310 / B2011

1/3" Super HAD CCD, 540TVL Color Camera with Electric Day & Night Function Capability.

## Specifications

		SCC-B2311(P)	
Camera Type	Color	1/3" DNR D/N Color Camera	
Image	Device	Super-HAD IT CCD	
	Size	1/3" 470K	
	Pixels - Total	811(H)X508(V) (795(H) x 596(V))	
Scanning	Pixels - Effective	768(H)X494(V) (752(H) x 582(V))	
	System	Interlace	
	Horizontal Frequency - Internal Mode	15,734 Hz (15625 Hz)	
	Horizontal Frequency - Line-lock Mode	15,750 Hz (15625 Hz)	
	Vertical Frequency - Internal Mode	5994 Hz (50 Hz)	
Min. Scene Illumination	Color	Sense Up Off	0.40 Lux (F1.2, 50 IRE), 0.24 Lux (F1.2, 30 IRE), 0.12 Lux (F1.2, 15 IRE)
		Sense Up 128x	0.0009 Lux (F1.2, 15IRE)
	BW	Sense Up Off	0.40 Lux (F1.2, 50 IRE), 0.24 Lux (F1.2, 30 IRE), 0.12 Lux (F1.2, 15 IRE)
		Sense Up 128x	0.0009 Lux (F1.2, 15IRE)
	Functions	Number of Privacy Zone	No
		Day/Night	Yes
Motion Detection		No	
Wide Dynamic Range		No	
D-Zoom		No	
High Speed Shutter		No	
Sens-Up		off, AUTO X 128	
PIP		No	
BLC		Yes	
AGC		Yes(on/off)	
ELC		Yes(on/off)	
Line Lock		Yes(on/off)	
Anti Vandal		No	
Camera ID		No	
White Balance		Yes(ATW/AWC)	
Resolution		Horizontal	540TV Lines
		Vertical	350TV Lines
Video Output	VBS 1.0Vp-p	VBS 1.0Vp-p(75, composite)	
S/N Ratio	S/N Ratio	50dB	
Lens	Mount Type	C/CS Mount compatible	
OSD	OSD	No	
	Language	No	
	Input	No	
Alarm	Output	No	
	RS485	No	
Remote Control	RS485	No	
Environmental Conditions	Operating Temperature	14°F~122°F(10°C ~ +50°C)	
	Humidity	Within 90% RH	
Power	Power Requirement	AC24V, DC12V	
	Power Consumption	3 W	
	LED Indicator	Yes	
Physical Specification	Dimensions	Net	68(W) x 55(H) x 138(D)mm
		Package	117(W) x 103(H) x 175(D)mm
	Weight	Net	450 g
		Package	540 g
	Loading Quantity	20/40ft	10,560 / 21,870
	Body Color		Silver

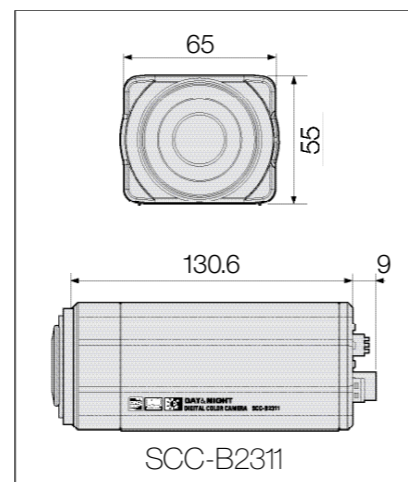
\* SCC-B2310 Resolution : 330TV Lines

\* SCC-B2011 Power : AC220V

Rear Panel



Dimensions (unit : mm)



SCC-B2311

## imagine perfect vision

day or night. Samsung's advanced high resolution security camera with outstanding digital noise reduction feature and high sensitivity captures the smallest detail of every image—from the brightest part of the day to the darkest depths of night—all with the same perfect clarity. So sit back and relax. With Samsung, the entire picture is always on perfect view.



SAMSUNG ELECTRONICS CO.,LTD.

Digital AV Division  
VSS marketing, 416, Maetan 3 Dong, YeongTong-Gu, Suwon City, Kyeonggi-Do, Korea, 443-742  
Tel: +82-31-277-3341~3347 Fax: +82-31-277-3489 http://www.securitysamsung.com

\* Design and specifications are subject to change without notice.

Distributed by



# SCC-B2311

- 1/3" Super HAD CCD
- 540TV Lines
- Electric Day & Night Color Camera



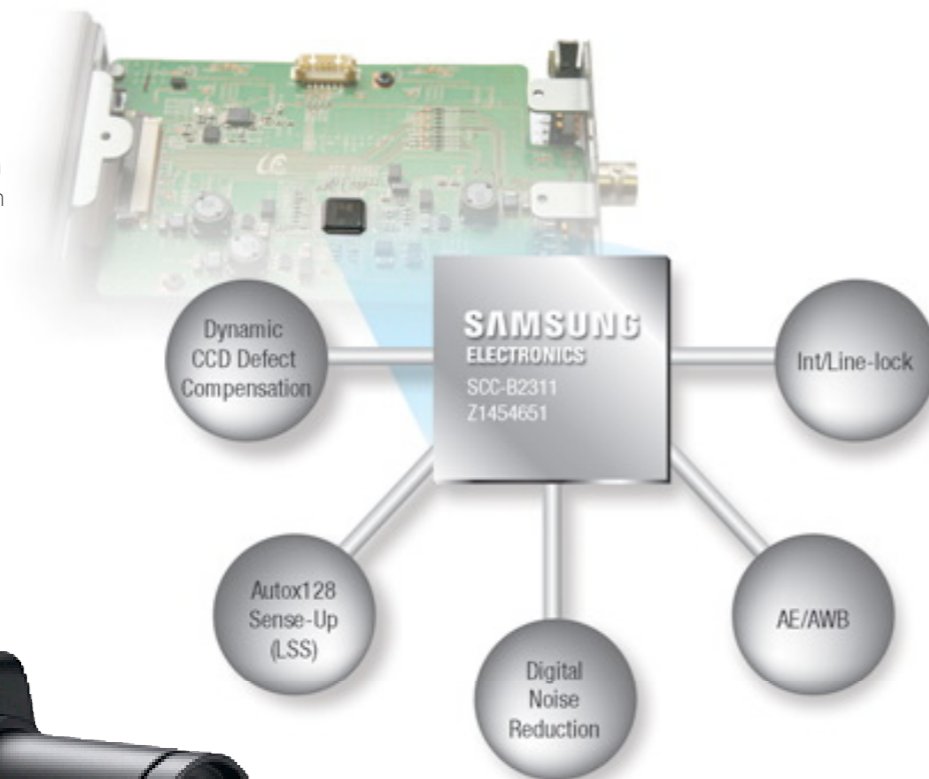
## Product Features

### Electric Day & Night High Resolution Camera

1/3" Super HAD CCD/540TV lines(Horizontal resolution)/Day & Night function /0.0009lux (15IRE, Sens upx128)/Digital Noise Reduction/BLC/AGC/White balance/ELC

### SAMSUNG Camera DSP

Digital Noise Elimination Technology, CCD Dynamic Defect Adjustment, and High-resolution Signal Processing Technology are integrated with the 16-bit CPU for remarkably high resolution and clarity.



### Electric Day & Night Min. 0.0009Lux



SCC-B2311 offers Day & Night feature and provides noiseless clarity if used with AGC (Auto Gain Control) function and Sense-up (low-speed shutter).



Day



Night

### Digital Noise Reduction



Samsung Electronics' exclusive Digital Noise Reduction (DNR) provides clearer images than other digital noise reduction technology. The unique algorithms used reduce video noise and after image phenomenon in moving pictures.



Competitor DNR



SCC-B2311 DNR

### Resolution 540TV Lines



Samsung Electronics' unique DSP technology provides 540 lines of resolution rendering an outstanding sharp clear image.



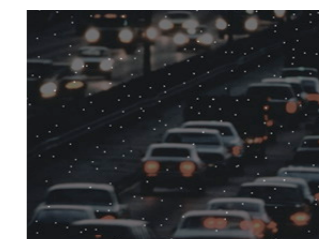
Competitor



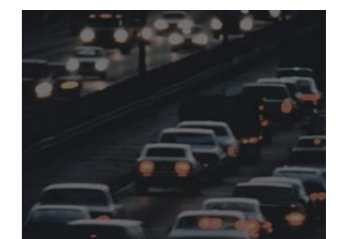
SCC-B2311

### Dynamic CCD Defect

Dynamic CCD Defect Compensation is another new Samsung technology that reduces the background noise in images and improves the appearance and clarity of the picture



Competitor



Dynamic CCD Defect compensation