



High-resolution surveillance CCTV camera
with D/N function
SCC-B1391(P)/B2300/B2391(P)



As color cameras that adopt the 1/3" state-of-the-art CCD, these products realize the high resolving power of horizontal resolution in 540 TV lines, (SCC-B2300 : 400 TV lines) through the use of a Hi-Tech Digital Signal Process. These products contain a Day/Night function (only SCC-B2300/2391(P)) and provide extremely sharp image quality through the use of SONY's Super-HAD CCD. In addition these units support excellent CCD sensitivity, which especially allows optimum observation of parking lots or building interiors that are dimly lit at best.

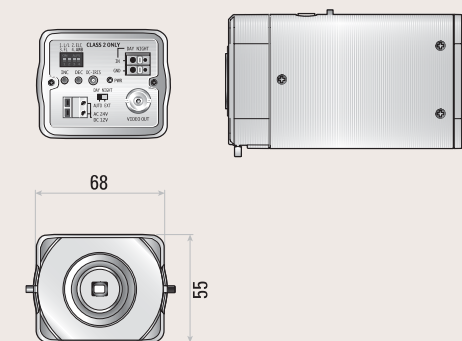
SCC-B1391(P)/B2300/B2391(P)

1/3" High-Resolution Color Camera

Feature

- Day/Night Camera (SCC-B2391)
- Hi-Resolution DSP(Digital Signal Processing)
- 1/3" 410,000 (PAL : 470,000) pixels Super HAD CCD
- 1/3" 270,000 pixel Super HAD CCD
- Horizontal Resolution of 540 TV Lines for SCC-B1391
- Horizontal Resolution of 540/570 TV Lines for SCC-B2391
- Back Light Compensation Circuitry
- External Synchronization Circuitry
- Accepts CS/C-Mount Lens (with C0Mount Adaptor)
- Power Input (AC24V/DC12V Compatible)
- Built-in Ground Fault Isolation Transformer
- SCC-B2091(P): same as SCC-B2391 model except power input (AC230V)
- SCC-B1091(P): same as SCC-B1391 model except power input (AC230V)

Dimensions (unit : mm)



Specifications

Model	SCC-B1391P / SCC-B2391P	SCC-B1391 / SCC-B2300 / SCC-B2391
Camera Type	Color	Color
Device	CCD	CCD
Image	Size	1/3 inch
	Pixels - Total	795 x 596
	Pixels - Effective	752 x 582
	System	Interface
Scanning	Horizontal Frequency - Internal Mode	15,625 Hz
	Horizontal Frequency - Line-lock Mode	15,625 Hz
	Vertical Frequency - Internal Mode	50 Hz
	Vertical Frequency - Line-lock Mode	50 Hz
Min. Scene Illumination	Color	0.3 Lux
	B/W	0.06 Lux(SCC-B2391P Only)
	Day/Night	AUTO/EXT(SCC-B2391P Only)
	BLC	On
Functions	AGC	On
	ELC	On(Max.1/100Ksec)
	Line Lock	Off/On
	White Balance	ATW/MANUAL
Resolution	Horizontal	B1391P:540 TV Lines, B2391P:540/570(Color/BW) TV Lines
	Vertical	350 TV Lines
Video Output	VBS 1.0Vp-p	VBS 1.0Vp-p
S/N Ratio	S/N Ratio	50 dB
Lens	Lens Drive Type	AI (Video/DC)
Environmental Conditions	Operating Temperature	-10 ° C ~ +50 ° C
	Humidity	Less than 90%
	Power Requirement	AC24V(50Hz) ± 10%, DC12V+10%/-5%
Power	Power Consumption	3 W
	LED Indicator	Yes
	Dimensions (WxHxD) - Net	68(W) x 55(H) x 128.5(D)mm
Physical Specification	Weight - Net	450 g
	Loading Quantity(20/40ft)	10,560/21,870
	Package Size	540 x 241 x 251 mm

* "P" indicates PAL model & "N" or no specific letter after the model name indicates NTSC model.



SAMSUNG ELECTRONICS CO., LTD.

416 Maetan-3Dong, Yeongtong-Gu, Suwon-City, Gyeonggi-Do, Korea 443-742
Tel: +82-31-277-3341-3347 Fax: +82-31-277-3482
http://www.securitysamsung.com

Distributed by

* Design and specifications are subject to change without notice



SCC-B1391(P)/B2300/B2391(P)

imagine high-resolution
CCTV camera with D/N
function



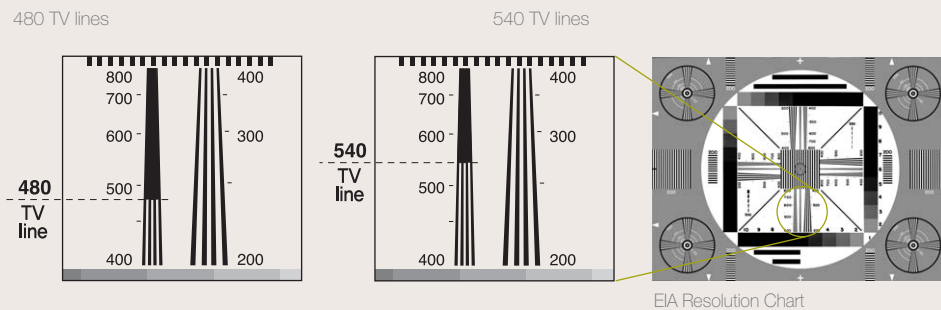
1/3" high-resolution color camera

SCC-B1391(P)/B2300/B2391(P)



『Astonishing, clear image with 540TV lines』

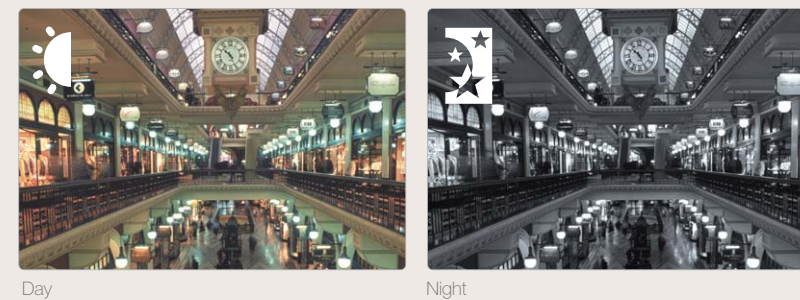
As color cameras that adopt the 1/3" state-of-the-art CCD [SCC-B1391(P)/SCC-B2391(P)] : 410,000 pixels for NTSC, 470,000 pixels for PAL (SCC-B2300N : 270,000 pixels), these products realize the high resolving power of horizontal resolution (540 TV lines, 400 TV lines for SCC-B2300) through the use of a Hi-Tech Digital Signal Process. In addition through the use of SONY's Super-HAD CCD, these cameras provide extremely sharp image quality.



Outstanding image quality enhancers

『Day/Night function』

These units contain a Day/Night function that automatically switches from color mode during the day to B/W mode at night, enabling 24-hours-a-day observation * SCC-B2300/2391(P)only



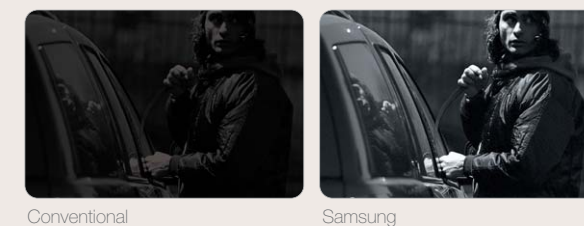
『Outstanding back light compensation』

Conventional cameras without a BLC function have only one option for the shutter speed and Iris opening setting. This can create an image with a darkened main object when taking a picture with a very bright background or strong spot light behind the main object. Samsung's high-resolution color camera series is able to produce brighter and sharper images of the main object darkened even by background lighting or sunlight by using the BLC function.



『Min. scene illumination of 0.3 (color)/ 0.06 (B/W)』

Minimum illumination of 0.06 allows users to recognize subjects even in the extremely dark environments. In addition, these cameras have excellent CCD sensitivity, which especially allows optimum observation of parking lots or building interiors that are dimly lit at best. * 0.2 (color)/ 0.03 (B/W) for SCC-B2300



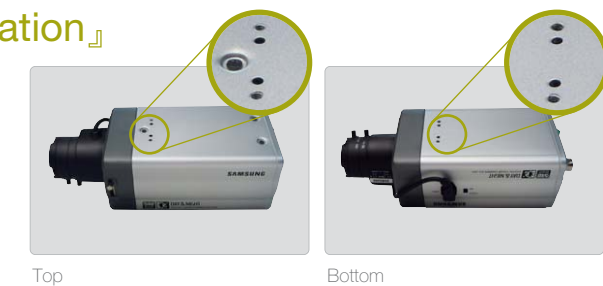
『ELC function』

By adopting the ELC function, these cameras can use the manual Iris lens economically. Without the ELC function, these products can use the automatic lens of DC type or video selectively. Their mechanism is designed to accommodate any C/CS lens mount adapter.



『Easy and simple installation』

These cameras support easy installation since they can be mounted either on the top or bottom of the camera adapter.



『Auto white balance』

Through the perfect Auto/Manual white balance function, these cameras ensure accurate representation of colors under any environment without inclining to either red or blue.



『Dual power support』

These products can operate on both AC 24V and DC 12V.

